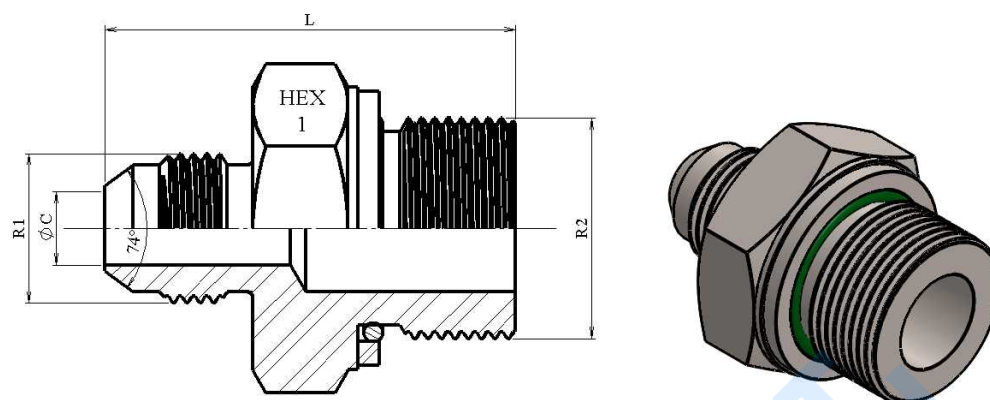


Racores JIC 37º

Uniones rectas JIC 37º

Racor macho JIC 37º - macho BSP

Acero Inoxidable AISI 316-L



Artículo	ØD1	ØD2	R1	R2	L	HEX 1	ØC
ZS2300610	6	1/4"	7/16" 20h UNF	1/8" BSP	30	14	4,4
ZS2300613	6	1/4"	7/16" 20h UNF	1/4" BSP	32	19	4
ZS2300617	6	1/4"	7/16" 20h UNF	3/8" BSP	34	22	4,4
ZS2300621	6	1/4"	7/16" 20h UNF	1/2" BSP	39	27	4
ZS2300813	8	5/16"	1/2" 20h UNF	1/4" BSP	33	19	6
ZS2300817	8	5/16"	1/2" 20h UNF	3/8" BSP	34	22	6
ZS2301013	10	3/8"	9/16" 18h UNF	1/4" BSP	32	19	7,5
ZS2301017	10	3/8"	9/16" 18h UNF	3/8" BSP	34	22	7,5
ZS2301021	10	3/8"	9/16" 18h UNF	1/2" BSP	39	27	7
ZS2301213	12	1/2"	3/4" 16h UNF	1/4" BSP	35,5	19	6
ZS2301217	12	1/2"	3/4" 16h UNF	3/8" BSP	36	22	10,8
ZS2301221	12	1/2"	3/4" 16h UNF	1/2" BSP	40	30	9,5
ZS2301226	12	1/2"	3/4" 16h UNF	3/4" BSP	40,5	36	10
ZS2301617	14-15-16	5/8"	7/8" 14h UNF	3/8" BSP	39	24	10
ZS2301621	14-15-16	5/8"	7/8" 14h UNF	1/2" BSP	44	27	12
ZS2301626	14-15-16	5/8"	7/8" 14h UNF	3/4" BSP	43	36	12
ZS2302021	18-20	3/4"	1"1/16 12h UN	1/2" BSP	47	30	15,5
ZS2302026	18-20	3/4"	1"1/16 12h UN	3/4" BSP	47,5	36	15
ZS2302033	18-20	3/4"	1"1/16 12h UN	1" BSP	52	46	15,5
ZS2302521	25	1"	1"5/16 12h UN	1/2" BSP	50	36	16
ZS2302526	25	1"	1"5/16 12h UN	3/4" BSP	50	36	16
ZS2302533	25	1"	1"5/16 12h UN	1" BSP	53,5	46	21,5
ZS2302542	25	1"	1"5/16 12h UN	1"1/4 BSP	56	50	21,5
ZS2303242	30-32	1 1/4"	1"5/8 12h UN	1"1/4 BSP	57,5	50	26

Racores JIC 37º

Uniones rectas JIC 37º

Racor macho JIC 37º - macho BSP

Acero Inoxidable AISI 316-L

2/2

Artículo	ØD1	ØD2	R1	R2	L	HEX 1	ØC
ZS2303842	38	1 1/2"	1"7/8 12h UN	1"1/4 BSP	60,5	50	33,5
ZS2303848	38	1 1/2"	1"7/8 12h UN	1"1/2 BSP	62,5	55	33,5
ZS2303860	38	1 1/2"	1"7/8 12h UN	2" BSP	67	70	33,5

FLUIDAL